

Order no.: 063270

Special wall bracket,  
adjustment range 500-  
600mm, galvanised steel



Wall clearance min [mm]

500 600 700 800

## Specification

Wall distance 500 mm	Wall anchor Single	Wall distance min. 500 mm	Wall distance max. 600 mm	Adjustment range 100 mm
Material Galvanised steel	Transport dimensions 510 x 200 x 200 mm, 10.5 kg	Business division MUNK Günzburger Steigtechnik	Order no. 063270	

## Facts

- Available for wall clearances of 500–900 mm
- Good anchoring for different wall types
- Steel quality ensures a high load-bearing capacity
- 1 set comprising 1x right, 1x left

### Scope of supply

- Wall anchor: 2 x

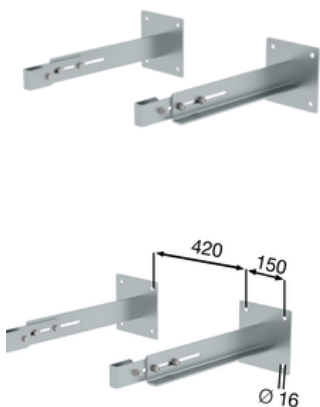
## Information on sustainability criteria

---

- Corporate certification: ISO 9001
- Corporate certification: ISO 14001
- Corporate certification: EN 1090
- Corporate certification: EcoVadis
- RoHS
- REACH
- The MUNK Group complies with a Code of Conduct
- The Supply Chain Act does not apply due to our size
- The materials used are listed in the technical specification
- Resource-saving production: own photovoltaic systems
- Energy-efficient consumption during production: LED lighting
- Repairability, durability and quality: 15-year warranty on series products made in Germany
- Recyclability: Our products are mostly made of aluminium, steel or wood and can be fed directly into the recycling process.
- Socially acceptable working conditions in production: fair wages, gender equality
- Economical and recyclable packaging: no use of polystyrene, predominantly use of wood and cardboard, small amounts of plastic
- No health hazards for the users

## More product pictures

---



## Added value

---

### Optimum planning

- Practical planning aids (available as [Downloads](#)) with tips for correct planning of vertical ladder systems
- Planning in close coordination with the client as well as the place and purpose of use
- Joint project planning



## Corporate certifications

---

on sustainability criteria



Management System  
ISO 9001:2015  
ISO 14001:2015  
[www.tuv.com](http://www.tuv.com)  
ID 9108612548

